

Your Health, our Technology



**CABINETS FOR STORAGE AND DRYING**

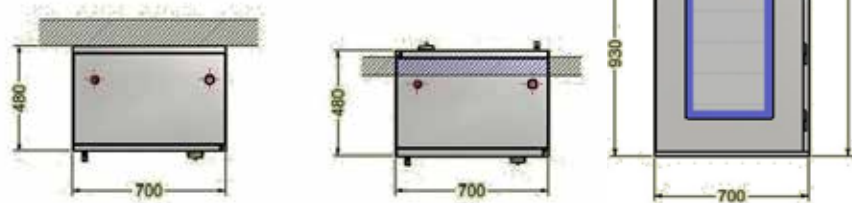


# Atos DC-70 Cabinets for drying



- The DC cabinets are used to dry surgical instruments, and anesthesia circuits using controlled warm air.
- Cabinets are made in stainless steel 304, provided with acoustic insulation with fireproof material and a front panel with double tempered glass.
- Touch-screen control panel with colors graphic LCD display that allows the user to set drying parameters as temperature and time, depending on the articles to process, with acoustic signal in case of alarms and process end.
- The temperature and time such as are chosen at the beginning of every program from 50° minimum to 90°C and from 1 minute minimum to 999 minutes or continuously.
- One sensor, placed on the door, allows to open the cabinet and reset the cycle automatically in every moment.
- Drying mechanism recycles part of the air (50%) to save energy and shorten the heating time. Both environment and recycled air are filtered through HEPA 14 filters with automatic alarm for any pressure leakage that may occur in the circuit and in case a filter's change is needed.

- ▶ Dimensions: L 700 x D 480 x H 1900 (mm)
- ▶ Chamber dimensions: L 600 x D 415 x H 1430 (mm)
- ▶ Volume of the chamber: 356 l





### DCA - 70

Drying cabinet for anesthesia circuits

- Capacity up to 6 anesthesia boxes (AB-70 and AP-70), with 6 positions each for a total of 36 positions for hoses and bags.
- Including 5 IS-70 shelves for a hybrid solution storing surgical instruments.

### AB - 70



### AP - 70



### DCI - 70

Drying cabinet for surgical instruments

- Provided with 10 removable IC-70 shelves.
- Capacity up to 10 DIN 1/1 baskets with the possibility to increase the height removing some shelves.

### IS - 70



### IC - 70



# ENDO 1

## Ventilated cabinet for endoscopes



- ▶ Dimensions: L 900 x D 575 x H 2400 (mm)
- ▶ Chamber dimensions: L 850 x D 537 x H 2123 (mm)
- ▶ Volume of the chamber: 969 l

## ENDO 1

### Ventilated cabinet for endoscopes

- Made entirely of stainless steel AISI 304.
- Front doors with stainless steel frame and tempered glass surface, complete of silicon edge seal to guarantee a perfect door seal and valid barrier to dust and dirt, complete of lock with key.
- N. 3 extractible vertical panels, on rails, made of stainless steel, provided with UNIVERSAL holders and hooks to store up to **12 ENDOSCOPES** (Pentax, Fuji, Olympus) and complete of removable basin to collect eventual water drops.
- After hanging of endoscopes on the appropriate holders and door closing, filtered air (HEPA H14) at room temperature is blew inside the cabinet through 4 fans for 90 minutes or continuously.
- If the doors are opened during the cycle, the fans stop and start again only after the closing of the doors for other 90 minutes.
- A pressure switch monitors the HEPA filter's condition and an alarm appears on the display, asking to change or clean the filter when necessary.
- On the front panel is placed the graphic color LCD, that displays functioning information, alarms and the cabinet manual, making the cabinet more user-friendly.
- The touch screen panel is also used to manage the programs and their parameters.
- N.4 low consumption LED lights are installed on the upper part of the cabinet to ensure better visibility during the loading and unloading operations.
- USB port for programming and RS232 for external connections.
- Pass-through configuration with interlocked doors also available.

# ENDO 3

## Ventilated cabinet for endoscopes



### ENDO 3

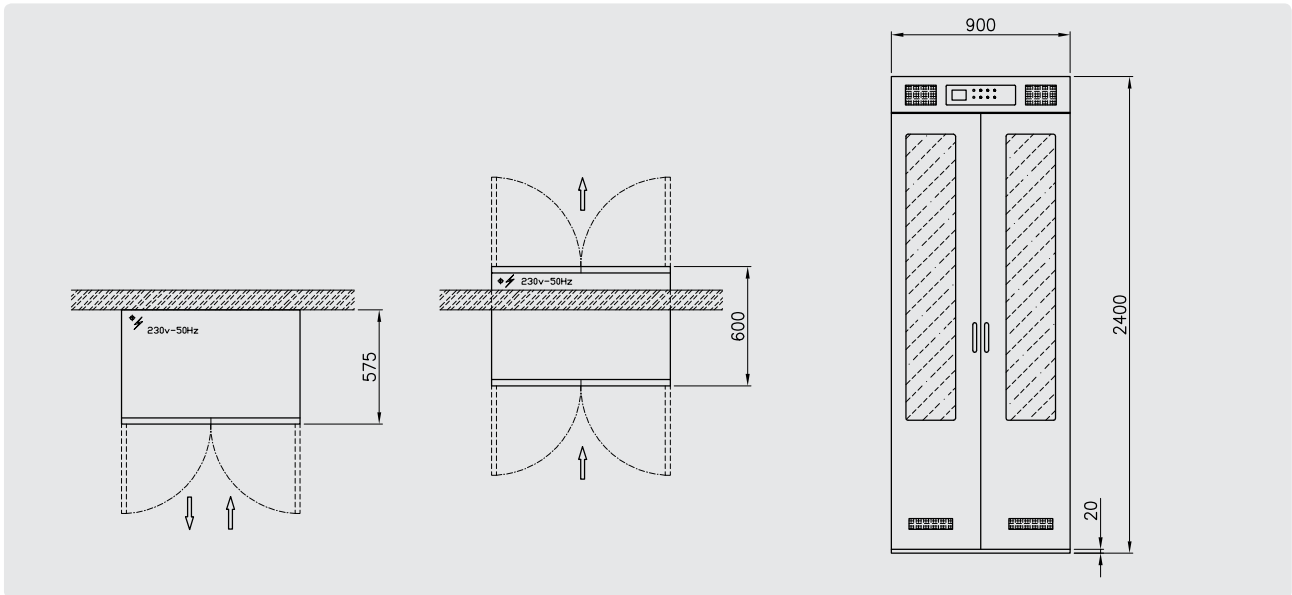
#### Ventilated cabinet for endoscopes

- Made entirely of stainless steel AISI 304.
- Front doors with stainless steel frame and tempered glass surface, complete of silicon gasket to ensure a perfect door seal and valid barrier against dust and dirt, complete of lock with key.
- N. 3 vertical panels on rails made in stainless steel, equipped of UNIVERSAL holders and hooks to store up to **12 ENDOSCOPES** (Pentax, Fuji, Olympus) and complete of removable basin to collect eventual water drops.
- The PLC system ensures total traceability, keeping track of every detail of the storage process. The system records the names of the operators that deal with an endoscope, the date and time the endoscope is stored and withdrawn and much more. The system constantly monitors the time each endoscope is stored inside the cabinet, alerting the user with an alarm if the endoscope's time expires.
- The ventilation of the hanged endoscopes is performed, using a three-ways fast connector connected to the endoscopic channels, blowing room air filtered by an HEPA filter 14 and heated to a set temperature.
- A dedicated vacuum switch constantly monitors the free flow of air inside the endoscope's channels.
- A touch screen monitor (2 monitors on pass-through appliances) is placed on the side panel to monitor the status of the cabinet and to manage its parameters.
- 2 low consumption LED lights are installed on the upper part of the cabinet to ensure better visibility during the loading and unloading operations.
- USB port for programming and RS232 for external connections like bar code scanners and printers.
- An ETHERNET port can be used to connect the PLC to a PC or to external tracing systems. It is also possible to use a USB drive to download a digital copy of the receipts that are printed every time an endoscope is withdrawn
- Pass-through configuration with interlocked doors also available.

- ▶ Dimensions: L 1100 x D 800 x H 2200 (mm)
- ▶ Chamber dimensions: L 785 x D 742 x H 1883 (mm)
- ▶ Volume of the chamber: 1096 l

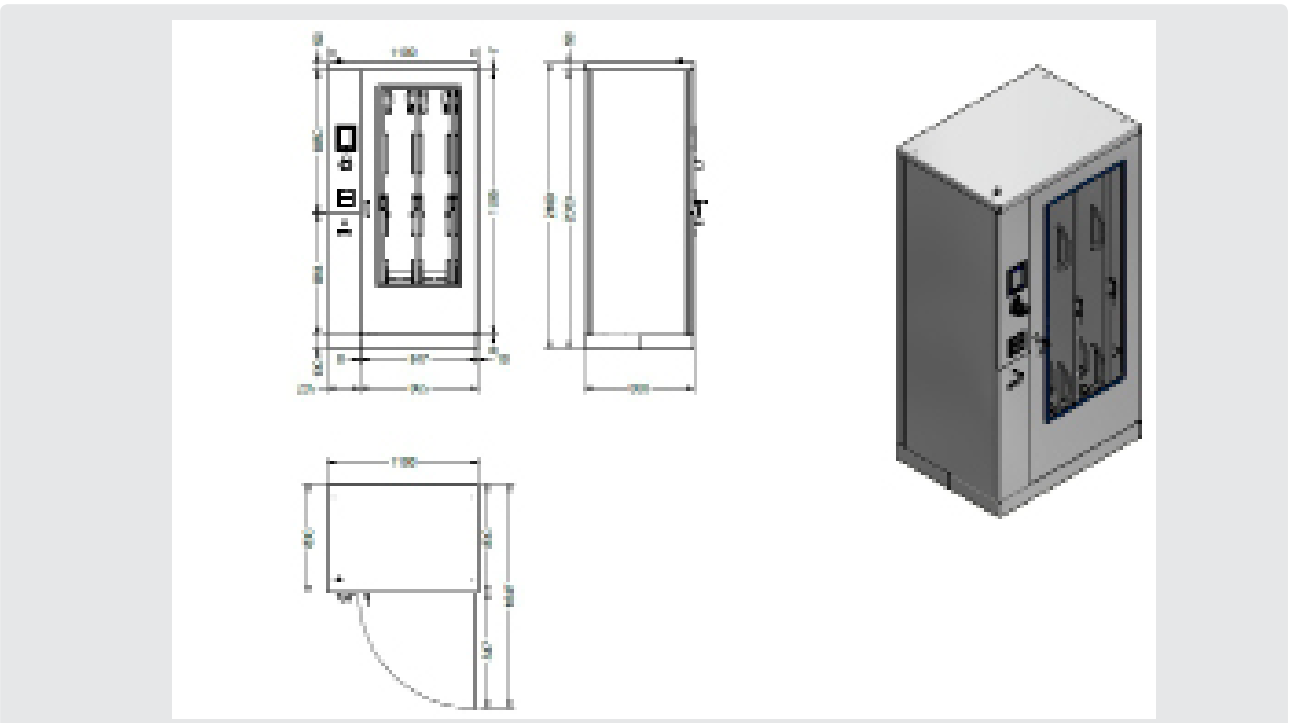
## ENDO 1

### Ventilated cabinet for endoscopes



## ENDO 3

### Ventilated cabinet for endoscopes



# RTA - 1800

## Cleaning table with ultrasonic sink



► Dimensions: L 1800 x D 605 x H 900 (mm)

- Made entirely in stainless steel AISI 304, with double-wall doors containing fireproof sound-damping material and silicon edge seal that guarantees a perfect door seal and valid barrier to dust and dirt.
- Equipped of washing sink 500x400xh250mm for pre-cleaning of processed articles using a shower tap with cold and hot water between a demineralized water spray gun and a compressed air spray gun.
- Equipped of 20 Lt ultrasonic sink 510x300xh200mm configured at 35 KHz with the possibility to adjust the power and time, with manual drainage system.



CSSD

SLUICE ROOM

SERVICE

OP ROOM

**AT-OS**  
DISINFECTION TECHNOLOGY

AT-OS Srl

Viale del Lavoro, 19 - 37030 Colognola ai Colli - Verona - ITALY

Tel (+39) 045 6159411 - Fax (+39) 045 6159422

[info@at-os.com](mailto:info@at-os.com) | [www.at-os.com](http://www.at-os.com)

